



Ledinaire StreetLight

BRP056 LED55/740 PSU 42W SLF CE

LED module 5500 lm - Electronic transformer - Safety class II -
 - - Side-entry for diameter 48 to 60 mm

Ledinaire Streetlight has been designed with Led transition in mind. Whether to refurbish old HID lanterns, or on a new country street, where you want citizens to feel safe. Ledinaire Streetlight offers simple benefits and reliable performance

Product data

General Information		Photobiological risk	
Lamp family code	LED55 [LED module 5500 lm]	Photobiological risk specification	Photobiological risk group 1 @ 200mm to EN62471
Light source color	740 neutral white	EU RoHS compliant	Yes
Light source replaceable	No	Light source engine type	LED
Number of gear units	1 unit	Light Technical	
Driver/power unit/transformer	Electronic transformer	Upward light output ratio	0
Driver included	Yes	Standard tilt angle posttop	-
Optical cover/lens type	Polycarbonate	Standard tilt angle side entry	0°
Luminaire light beam spread	-	Operating and Electrical	
Connection	-	Input Voltage	220/240 V
Cable	Cable 0.5 m without plug	Input Frequency	50 or 60 Hz
Protection class IEC	Safety class II	Inrush current	1.1 A
Flammability mark	-	Inrush time	10.5 ms
CE mark	CE mark	Power Factor (Min)	0.95
ENEC mark	-		
Warranty period	3 years		
Optic type outdoor	-		
Constant light output	No		
Number of products on MCB of 16 A type B	56		

Ledinaire StreetLight

Controls and Dimming

Dimmable	No
----------	----

Mechanical and Housing

Housing Material	Aluminium pressure die cast
Reflector material	-
Optic material	Polycarbonate
Optical cover/lens material	Polycarbonate
Fixation material	Aluminum
Mounting device	Side-entry for diameter 48 to 60 mm
Optical cover/lens shape	Curved
Optical cover/lens finish	Clear
Overall height	78 mm
Effective projected area	0.06 m ²
Color	Dark gray
Dimensions (Height x Width x Depth)	78 x NaN x NaN mm (3.1 x NaN x NaN in)

Approval and Application

Ingress protection code	IP65 [Dust penetration-protected, jet-proof]
Mech. impact protection code	IK07 [2 J reinforced]
Surge Protection (Common/Differential)	Luminaire surge protection level until 4 kV differential mode and 4 kV common mode

Initial Performance (IEC Compliant)

Initial luminous flux (system flux)	4850.1 lm
Luminous flux tolerance	+/-7%
Initial LED luminaire efficacy	115 lm/W

Init. Corr. Color Temperature	4000 K
Init. Color Rendering Index	>70
Initial chromaticity	(0.3796 / 0.3704)SDCM 5
Initial input power	42 W
Power consumption tolerance	+/-10%
Init. Color Rendering Index Tolerance	+/-2

Over Time Performance (IEC Compliant)

Lumen maintenance at median useful life*	L80
50000 h	

Application Conditions

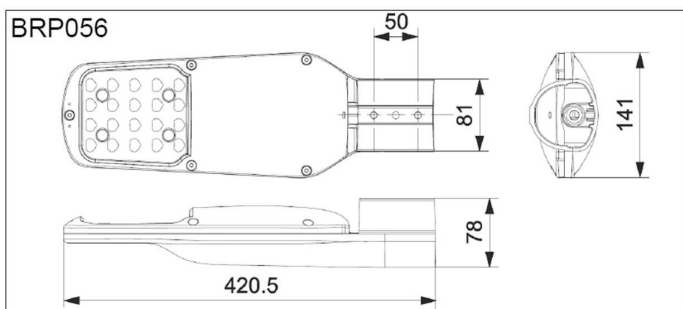
Ambient temperature range	-30 to +40 °C
Performance ambient temperature Tq	25 °C
Maximum dim level	Not applicable

Product Data

Full product code	871951451209299
Order product name	BRP056 LED55/740 PSU 42W SLF CE
EAN/UPC - Product	8719514512092
Order code	919515814272
Numerator - Quantity Per Pack	1
Numerator - Packs per outer box	4
Material Nr. (12NC)	919515814272
Net Weight (Piece)	1.500 kg



Dimensional drawing



CoreLine Malaga LED BRP101/102

Ledinaire StreetLight

